

Section 3

CEJN FRL Products

in this section.....

Products in this new section.....



Filters 132 - 133

Regulators 134 - 135

Lubricators 136 - 137

Filter/Regulators 138 - 139

FRL Systems 140 - 141

Accessories & Spare Parts 142 - 143



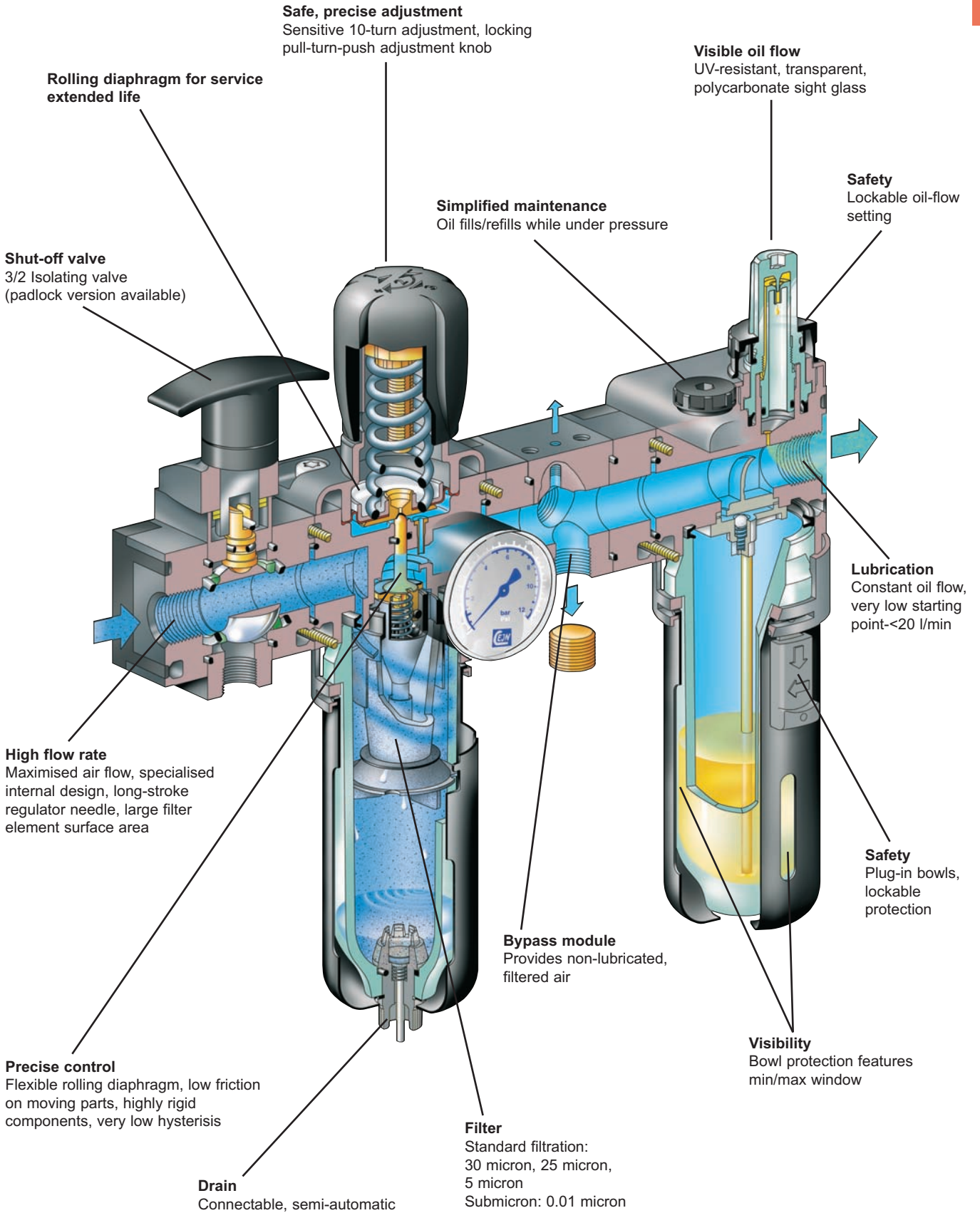
ADVANCED FRL RANGE OFFERS NUMEROUS CONNECTION SIZES

The CEJN Filtration, Regulation, and Lubrication (FRL) range offers quality products for ensuring reliable, compressed air performance. The range includes filters, regulators, filter regulators, lubricators, isolation valves, and bypasses.

CEJN FRL products are offered in 1/8" through 1/2" thread connection sizes. They are easy to assemble and maintain and can be top or side mounted. FRL products from CEJN combine what customers want most:

- **Wide Range** - The extensive product range ensures component compatibility.
- **High Flow Capacity** - CEJN filters provide maximum air flow, as a result of the large surface area of the filtering element, the long stroke of the regulator needle, and an optimised flow path.
- **Precision Regulation** - CEJN regulators ensure minimum pressure differential between set point and operating pressure, due to the low friction of moving parts, rigidity of components, and the flexibility of the rolling diaphragm. Hysteresis less than 0.2 bar can be achieved, regardless of upstream pressure.





- Excellent filtration of water and dirt
- Quick and easy removal and replacement of filter element
- Semi-automatic drain as standard



CEJN filters offer high flow capacity and withstand up to 16 bar (232 PSI) inlet pressure. Features include a metal bowl protector, easily visible level indicators, and a compact modular construction. Filtration up to 99.9% can be achieved with a 0.01 µm filter.

Technical Information

Media
 Max. Working Pressure at 23°C (73.4°F)
 Max. Working Pressure at 50°C (122°F)
 Temperature Range
 Filtering Capacity
 Filtering Element
 Body
 Bowl
 Bowl Protector
 Condensate Drain

Series 107 and 112

Compressed air, neutral gas
 16 bar (232 PSI)
 10 bar (145 PSI)
 0°C to +50°C (+32°F to +122°F)
 25 micron / 5 micron
 Polyethylene (PE)
 Painted zamak
 Polycarbonate (PC)
 resistant to UV, with protector
 With safety locking and
 condensate level view
 Semi-automatic

SERIES 107 FILTERS



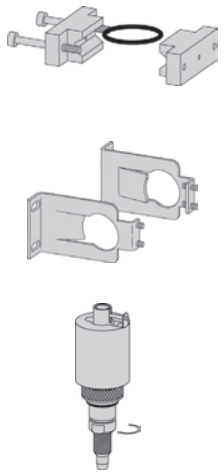
PART NO.	CONNECTION	BOWL CAPACITY	MAX FLOW	FILTRATION	PRICE
C199031102	1/4" BSPP	7 cl	51.2 CFM	25 µm	£25.70
C199031112	1/4" BSPP	7 cl	43.4 CFM	5 µm	£26.55
C199031122	1/4" BSPP	7 cl	24.7 CFM	0.01 µm	£58.60

SERIES 112 FILTERS



PART NO.	CONNECTION	BOWL CAPACITY	MAX FLOW	FILTRATION	PRICE
C199035104	3/8" BSPP	12 cl	84.4 CFM	25 µm	£33.30
C199035114	3/8" BSPP	12 cl	72.0 CFM	5 µm	£35.00
C199035105	1/2" BSPP	12 cl	84.4 CFM	25 µm	£33.30
C199035115	1/2" BSPP	12 cl	72.0 CFM	5 µm	£35.00
C199035125	1/2" BSPP	12 cl	37.1 CFM	0.01 µm	£88.50

ACCESSORIES

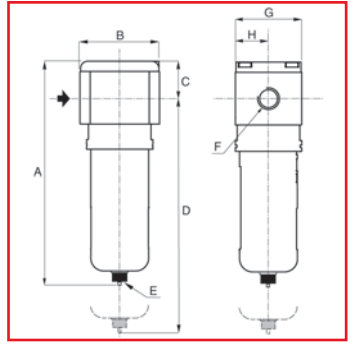


PART NO.	SERIES	DESCRIPTION	PRICE
C199031500	107	Two-part assembly kit	£ 4.55
C199031505	107	Special two-part kit for 0.01 µm filter	£ 5.25
C199031510	107	Side mounting brackets	£ 5.70
C199031560	107	Automatic drain valve	£46.75
C199035500	112	Two-part assembly kit	£ 6.75
C199035505	112	Special two-part kit for 0.01 µm filter	£ 7.45
C199035510	112	Side mounting brackets	£ 9.25
C199035560	112	Automatic drain valve	£50.75

Filter Accessories

DIMENSIONS

SERIES	A (mm)	B (mm)	C (mm)	D (mm)	E	F (BSP)	G (mm)	H (mm)
107	159.5	42	25.5	190	1/8" BSP	1/4"	42	40
112	191	66	30.5	221.5	1/8" BSP	3/8", 1/2"	55	46



- High flow capacity
- Effortless, precise regulation
- Excellent hysteresis



CEJN regulators feature a locking device, a flexible rolling diaphragm, and a gauge. A mini-version with thread connections down to 1/8" is available for use when space is limited.

Technical Information

Media
Max. Working Pressure
Controlled Pressure
Hysteresis
Temperature Range
Regulating Device
Seal Material
Body

Series Mini

Compressed air, neutral gas
12 bar (174 PSI)
0.5-10 bar (7-145 PSI)
0.35 bar (5.1 PSI)
0°C to +50°C (+32°F to +122°F)
Rolling diaphragm (very low hysteresis)
Nitriler
Polymer

Series 107

Compressed air, neutral gas
16 bar (232 PSI)
0.5-10 bar (7-145 PSI)
0.3 bar (4.4 PSI)
-10°C to +60°C (+14°F to +140°F)
Rolling diaphragm (very low hysteresis)
Nitriler
Painted zamak

Technical Information

Media
Max. Working Pressure
Controlled Pressure
Hysteresis
Temperature Range
Regulating Device
Seal Material
Body

Series 112

Compressed air, neutral gas
16 bar (232 PSI)
0.5-10 bar (7-145 PSI)
0.2 bar (2.9 PSI)
-10°C to +60°C (+14°F to +140°F)
Rolling diaphragm (very low hysteresis)
Nitriler
Painted zamak

SERIES MINI REGULATORS


PART NO.	CONNECTION	MAX. INLET PRESSURE	MAX. FLOW	PRICE
C199038201	1/8" BSPP	12 bar / 174 PSI	17.6 CFM	£25.30
C199038202	1/4" BSPP	12 bar / 174 PSI	22.9 CFM	£25.30

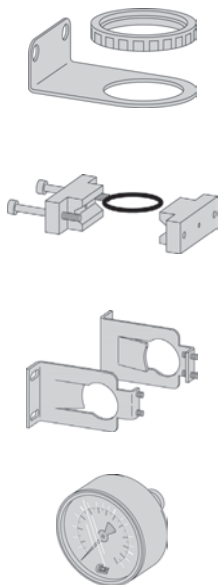
SERIES 107 REGULATORS


PART NO.	CONNECTION	MAX. INLET PRESSURE	MAX. FLOW	PRICE
C199031202	1/4" BSPP	16 bar / 232 PSI	45.9 CFM	£33.30

SERIES 112 REGULATORS


PART NO.	CONNECTION	MAX. INLET PRESSURE	MAX. FLOW	PRICE
C199035204	3/8" BSPP	16 bar / 232 PSI	105.9 CFM	£43.00
C199035205	1/2" BSPP	16 bar / 232 PSI	105.9 CFM	£43.00

ACCESSORIES



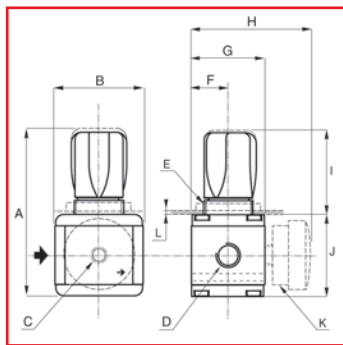
PART NO.	SERIES	DESCRIPTION	PRICE
C199038511*	MINI	Top mounting ring and bracket	£ 2.80
C199031500	107	Two-part assembly kit	£ 4.55
C199031511	107	Top mounting ring and bracket	£ 5.05
C199031510	107	Side mounting brackets	£ 5.70
C199035500	112	Two-part assembly kit	£ 6.75
C199035511	112	Top mounting ring and bracket	£ 5.40
C199035510	112	Side mounting brackets	£ 9.25
C199031525	MINI, 107, 112	Ø 40mm gauge (0-12 bar / 0-174 PSI)	£ 7.20
C199031520	MINI, 107, 112	Ø 50mm gauge (0-12 bar / 0-174 PSI)	£ 8.05
C199031550	MINI, 107, 112	Plug for gauge port 1/8"	£ 0.80

* Mounting ring is included with regulator

Regulator Accessories

DIMENSIONS

SERIES	A (mm)	B (mm)	C (BSP)	D (BSP)	F (mm)	G (mm)	H (mm)	I (mm)	J (mm)	L (mm)
MINI	74	45	1/8"	1/8", 1/4"	20	40	71	37	39	3
107	104	42	1/8"	1/4"	21	42	76	53	51	2
112	125	66	1/8"	3/8", 1/2"	27.5	55	87	64	61	2



- Lubrication corresponds accurately to variations or changes in air flow
- Refillable under pressure
- Easy adjustment



CEJN lubricators can be adjusted easily without tools. Features include a lockable oil setting knob and a transparent sight glass offering visible oil flow from all directions. Model 112 refillable under pressure.

Technical Information

Media

Max. Working Pressure at 23°C (73.4°F)

Max. Working Pressure at 50°C (122°F)

Temperature Range

Lubrication

Lubrication Oil

Body

Bowl

Bowl Protector

Series 107 and 112

Compressed air, neutral gas

12 bar (174 PSI)

10 bar (145 PSI)

0°C to +50°C (+32°F to +122°F)

Selective oil fog

Non-detergent without aggressive additives

Painted zamak

Polycarbonate (PC)

resistant to UV

With safety locking and condensate level view

SERIES 107 LUBRICATORS



PART NO.	CONNECTION	BOWL CAPACITY	MAX OIL CAPACITY	MIN FLOW *	MAX FLOW	PRICE
C199031302	1/4" BSPP	7 cl	4 cl	0.7 CFM	123.6 CFM	£28.70
* Minimum for lubricator startup						

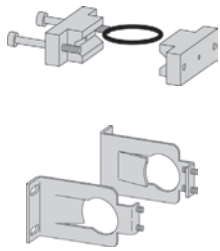
SERIES 112 LUBRICATORS



PART NO.	CONNECTION	BOWL CAPACITY	MAX OIL CAPACITY	MIN FLOW *	MAX FLOW	PRICE
C199035304	3/8" BSPP	12 cl	7 cl	0.7 CFM	194.2 CFM	£36.65
C199035305	1/2" BSPP	12 cl	7 cl	0.7 CFM	194.2 CFM	£36.65

* Minimum for lubricator startup

ACCESSORIES

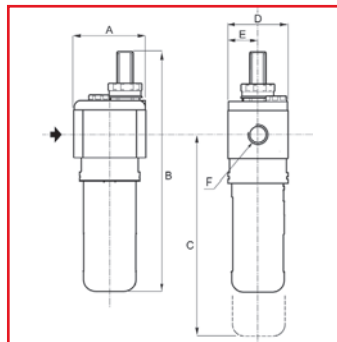


PART NO.	SERIES	DESCRIPTION	PRICE
C199031500	107	Two-part assembly kit	£ 4.55
C199031510	107	Side mounting brackets	£ 5.70
C199035500	112	Two-part assembly kit	£ 6.75
C199035510	112	Side mounting brackets	£ 9.25

Lubricator Accessories

DIMENSIONS

SERIES	A (mm)	B (mm)	C (mm)	D (mm)	E (mm)	F (BSP)
107	42	187	215	42	21	1/4"
112	66	215	243	55	27.5	3/8", 1/2"





- Excellent filtration of water and dirt
- High flow capacity
- Excellent hysteresis

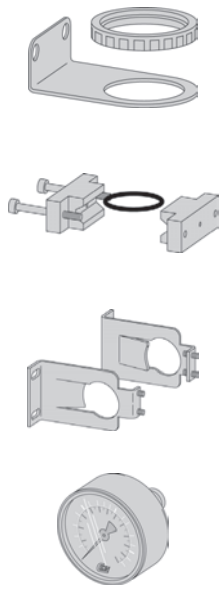


CEJN filter / regulator units combine a filter, regulator, and gauge in one economical unit. The combination unit withstand up to 16 bar (232 PSI) inlet pressure. Features include a metal bowl protector, easily visible level indicators, compact modular construction, flexible rolling diaphragm, and locking device.

Technical Information

Media	Series 107 and 112
Max. Working Pressure at 23°C (73.4°F)	Compressed air, neutral gas
Max. Working Pressure at 50°C (122°F)	16 bar (232 PSI)
Controlled Pressure	10 bar (145 PSI)
Temperature Range	0.5-10 bar (7-145 PSI)
Regulating Device	0°C to +50°C (+32°F to +122°F)
Filtering Element	Rolling diaphragm
Body	Polyethylene (PE)
Bowl	Painted zamak
	Polycarbonate (PC)
	resistant to UV
Bowl Protector	With safety locking and condensate level view
Seal Material	Nitrile
Condensate Drain	Semi-automatic
Hysteresis	Series 107 - 0.3 bar (4.4 PSI) Series 112 - 0.2 bar (2.9 PSI)

SERIES 107 FILTER / REGULATORS						
	PART NO.	CONNECTION	BOWL CAPACITY	MAX FLOW	FILTRATION	PRICE
	C199031402	1/4" BSPP	7 cl	45.9 CFM	25 µm	£41.30
	C199031412	1/4" BSPP	7 cl	38.8 CFM	5 µm	£42.15
SERIES 112 FILTER / REGULATORS						
	PART NO.	CONNECTION	BOWL CAPACITY	MAX FLOW	FILTRATION	PRICE
	C199035404	3/8" BSPP	12 cl	105.9 CFM	25 µm	£59.90
	C199035414	3/8" BSPP	12 cl	88.3 CFM	5 µm	£61.55
	C199035405	1/2" BSPP	12 cl	105.9 CFM	25 µm	£59.90
	C199035415	1/2" BSPP	12 cl	88.3 CFM	5 µm	£61.55

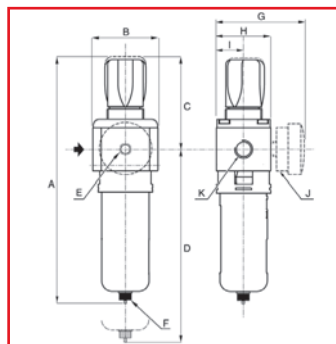
ACCESSORIES


PART NO.	SERIES	DESCRIPTION	PRICE
C199031500	107	Two-part assembly kit	£ 4.55
C199031511	107	Top mounting ring and bracket	£ 5.05
C199031510	107	Side mounting brackets	£ 5.70
C199031560	107	Automatic drain valve	£46.75
C199035500	112	Two-part assembly kit	£ 6.75
C199031511	112	Top mounting ring and bracket	£ 5.05
C199035510	112	Side mounting brackets	£ 9.25
C199035560	112	Automatic drain valve	£50.75
C199031525	107, 112	Ø 40mm gauge (0-12 bar / 0-174 PSI)	£ 7.20
C199031520	107, 112	Ø 50mm gauge (0-12 bar / 0-174 PSI)	£ 8.05
C199031550	107, 112	Plug for gauge port 1/8"	£ 0.80

Filter/Regulator Accessories

DIMENSIONS

SERIES	A (mm)	B (mm)	C (mm)	D (mm)	E (BSP)	F	G (mm)	H (mm)	I (mm)	K (BSP)
107	213	42	79	190	1/8"	1/8" BSP	95	42	21	1/4"
112	251	66	94.5	221.5	1/8"	1/8" BSP	105	55	27.5	3/8", 1/2"



- Complete, pre-assembled sets
- Compact design
- Gauge included

CEJN FRL systems are designed to take the burden off of customers in selecting individual air-treatment products. They combine a filter, regulator, and lubricator in a ready-to-use set.



FILTER/REGULATOR & LUBRICATOR



PART NO.	CONNECTION	BOWL CAPACITY	MAX OIL CAPACITY	GAUGE Ø	MIN FLOW	MAX FLOW	PRICE
<i>Series 107</i>							
C199031602	1/4" BSPP	7 cl	4 cl	40 mm	0.7 CFM	45.9 CFM	£75.80
<i>Series 112</i>							
C199035604	3/8" BSPP	12 cl	7 cl	50 mm	0.7 CFM	105.9 CFM	£105.85
C199035605	1/2" BSPP	12 cl	7 cl	50 mm	0.7 CFM	105.9 CFM	£105.85
Note: Series 107 and 122: 25 µm filtration							

FILTER/REGULATOR PORTING BLOCK & LUBRICATOR

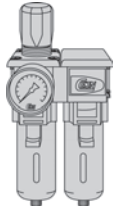


PART NO.	CONNECTION	BOWL CAPACITY	MAX OIL CAPACITY	GAUGE Ø	MIN FLOW	MAX FLOW	PRICE
<i>Series 107</i>							
C199031612	1/4" BSPP	7 cl	4 cl	40 mm	0.7 CFM	45.9 CFM	£91.80
<i>Series 112</i>							
C199035614	3/8" BSPP	12 cl	7 cl	50 mm	0.7 CFM	105.9 CFM	£152.40
C199035615	1/2" BSPP	12 cl	7 cl	50 mm	0.7 CFM	105.9 CFM	£152.40
Note: Series 107 and 122: 25 µm filtration							

FILTER/REGULATOR & LUBRICATOR

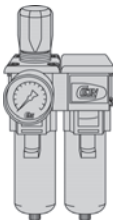


PART NO.	CONNECTION	BOWL CAPACITY	MAX OIL CAPACITY	GAUGE Ø	MIN FLOW	MAX FLOW	PRICE
<i>Series 107</i>							
C199031622	1/4" BSPP	7 cl	4 cl	40 mm	0.7 CFM	45.9 CFM	£91.45
<i>Series 112</i>							
C199035624	3/8" BSPP	12 cl	7 cl	50 mm	0.7 CFM	105.9 CFM	£126.35
C199035625	1/2" BSPP	12 cl	7 cl	50 mm	0.7 CFM	105.9 CFM	£126.35
Note: Series 107 and 122: 25 µm filtration							

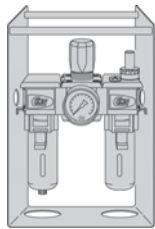
FILTER/REGULATOR 5 MICRON & FILTER 0.01 MICRON


PART NO.	CONNECTION	BOWL CAPACITY	MAX OIL CAPACITY	GAUGE Ø	MIN FLOW	MAX FLOW	PRICE
<i>Series 112</i>							
C199035634	3/8" BSPP	12 cl	-	50 mm	0.7 CFM	37.1 CFM	£151.80
C199035635	1/2" BSPP	12 cl	-	50 mm	0.7 CFM	37.1 CFM	£151.80

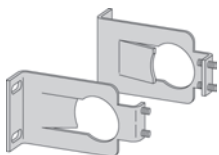
FRL Systems

FILTER/REGULATOR 5 MICRON & FILTER 0.01 MICRON WITH METAL BOWL


PART NO.	CONNECTION	BOWL CAPACITY	MAX OIL CAPACITY	GAUGE Ø	MIN FLOW	MAX FLOW	PRICE
<i>Series 112</i>							
C199035654	3/8" BSPP	12 cl	-	50 mm	0.7 CFM	37.1 CFM	£174.25
C199035655	1/2" BSPP	12 cl	-	50 mm	0.7 CFM	37.1 CFM	£174.25

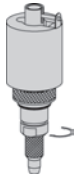





PORTABLE SYSTEM - FILTER, REGULATOR & LUBRICATOR


PART NO.	CONNECTION	BOWL CAPACITY	MAX OIL CAPACITY	GAUGE Ø	MIN FLOW	MAX FLOW	PRICE
<i>Series 112</i>							
C199035645	1/2" BSPP	12 cl	7 cl	50 mm	0.7 CFM	105.9 CFM	£250.30
Note: 25 µm filtration							

ACCESSORIES


PART NO.	SERIES	DESCRIPTION	PRICE
C199031510	107	Side mounting brackets	£ 5.70
C199035510	112	Side mounting brackets	£ 9.25

BALL VALVES				
	PART NO.	SERIES	DESCRIPTION	PRICE
	C199031532	107	Shut-off valve, 1/4" BSP (padlockable)	£35.85
	C199035534	112	Shut-off valve, 3/8" BSP	£47.20
	C199035554	112	Shut-off valve, 3/8" BSP (padlockable)	£52.55
	C199035535	112	Shut-off valve, 1/2" BSP	£47.20
	C199035555	112	Shut-off valve, 1/2" BSP (padlockable)	£52.55
				Shut off and vent the secondary side (1/4" BSP exhaust port) during service and maintenance procedures
PORTING BLOCKS				
	C199031952	107	Porting block 1/4" BSP with two 1/8" BSP bypass ports	£16.00
	C199035954	112	Porting block 3/8" BSP with three 3/8" BSP bypass ports	£29.50
	C199035955	112	Porting block 1/2" BSP with three 3/8" BSP bypass ports	£29.50
				Designed with one, two, or three outlet ports, in addition to the main body Max. working pressure 16 bar (232 PSI)
GAUGES				
	C199031525	MINI / 107	Ø 40 mm pressure gauge 0-12 bar / 0-174 PSI	£ 7.20
	C199031526	MINI / 107	Ø 40 mm pressure gauge 0-4 bar / 0-58 PSI	£ 7.20
	C199031520	112	Ø 50 mm pressure gauge 0-12 bar / 0-174 PSI	£ 8.05
	C199031521	112	Ø 50 mm pressure gauge 0-16 bar / 0-232 PSI	£12.80
				Measure pressure from 0 to 12 bar (0 to 174 PSI)
PLUG				
	C199031550	MINI / 107	Plug for gauge port 1/8"	£ 0.80
TWO PART ASSEMBLY KIT				
	C199031505	107	Two part assembly kit special for 0.01 µm filter	£ 5.25
	C199031500	107	Two part assembly kit	£ 4.55
	C199035505	112	Two part assembly kit special for 0.01 µm filter	£ 7.45
	C199035500	112	Two part assembly kit	£ 6.75
				Used to mount components in line
BRACKETS				
	C199031510	107	Side mounting brackets	£ 5.70
	C199035510	112	Side mounting brackets	£ 9.25
				Used to mount components on a wall, etc.
TOP MOUNTING RING				
	C199038511	MINI	Top mounting bracket (ring included in regulator)	£ 2.80
	C199031511	107	Top mounting ring and bracket	£ 5.05
	C199035511	112	Top mounting ring and bracket	£ 5.40
				Used along with brackets to mount regulators and filter / regulators on a wall

AUTOMATIC DRAIN				
	PART NO.	SERIES	DESCRIPTION	PRICE
	C199031560	107	Automatic drain valve	£46.75
	C199035560	112	Automatic drain valve	£50.75
			Floating valve opener	
SUB-ASSEMBLED FILTER				
	C199031540	107	Sub-assembled filter element 25 µm - yellow	£ 4.10
	C199031541	107	Sub-assembled filter element 5 µm - white	£ 4.10
	C199031542	107	Sub-assembled filter element 0.01 µm - green	£30.15
	C199035540	112	Sub-assembled filter element 25 µm - yellow	£ 3.90
	C199035541	112	Sub-assembled filter element 5 µm - white	£ 3.90
	C199035542	112	Sub-assembled filter element 0.01 µm - green	£47.45
			Colour coded filter elements	
BOWL FOR FILTER				
	C199031900	107	Polycarbonate bowl	£10.60
	C199035900	112	Polycarbonate bowl	£12.40
	C199035903	112	Metal bowl	£43.00
	C199035904	112	Polyamide bowl (for use in solvent-charged environments)	£10.10
			Bowl for filter with semi-automatic drain	
BOWL FOR LUBRICATOR				
	C199031901	107	Polycarbonate bowl	£11.50
	C199035901	112	Polycarbonate bowl	£12.15
	C199035905	112	Polyamide bowl (for use in solvent-charged environments)	£10.65
MOVING PARTS FOR REGULATOR				
	C199031902	107	Moving parts for regulator	£13.40
	C199035902	112	Moving parts for regulator	£20.10
POLYCARBONATE COVER FOR LUBRICATOR				
	C199035906	107 / 112	Polycarbonate cover	£ 7.45

